

CROWN OPTO S1+



ITEM DESCRIPTION

Crown OPTO S1+ is a new solution for uniform illumination of single-sided lightboxes and bigger channel letters with depth ranging from 80 to 140 mm. Due to the new optics, we have used with this module, light is distributed more evenly inside the lightboxes or channel letters. As these modules have a better light distribution pattern and longer wires, they can be installed with a 250 mm step. To make the installation work easy and fast, these modules come with the adhesive containing a finger lift edge liner for convenient removal of the protective layer. Crown OPTO S1+ modules have 5 years (24/7) warranty with L80 for 50 000 hours.

APPLICATION

- Single-sided lightboxes and bigger channel letters
- Recommended depth 80 – 140 mm

FEATURES & BENEFITS

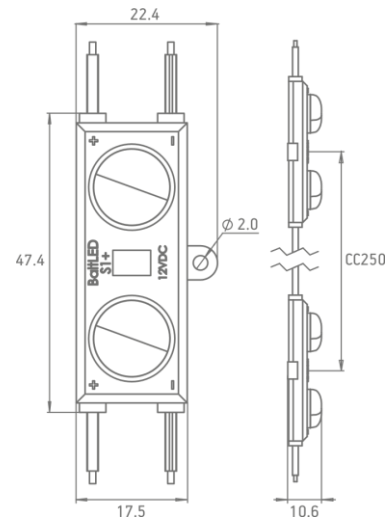
- Efficiency up to 122 lm/W
- 250 mm distance between centers of modules
- IP67 protection class
- L80 50, 000 h lifetime
- 5-year 24/7 warranty



GENERAL SPECIFICATIONS

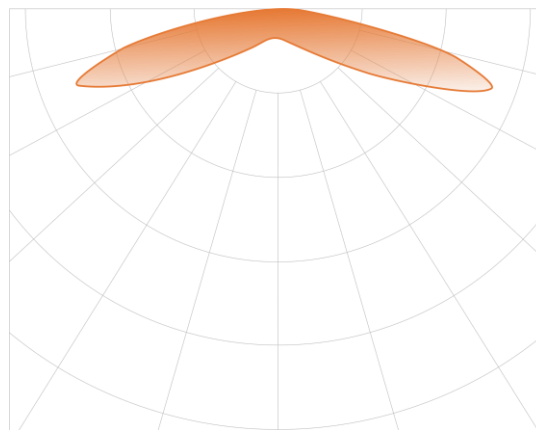
SUPPLY VOLTAGE	12 VDC
POWER	1.0 W
RECOMMENDED DEPTH	from 80 to 140 mm
CC DISTANCE	250 mm
BINNING	3 SDCM
OPERATING TEMPERATURE	-30 °C ~ +50 °C
STORAGE TEMPERATURE	+5 °C ~ +70 °C
STORAGE CONDITIONS	Relative humidity <60%
CERTIFICATION	CE and RoHS pending
IP CLASS	IP67
LIFETIME	L80 50,000 h
WARRANTY	5 years (24/7)*

*Warranty is applied only and if storage, mounting and maintenance conditions, stated in the installation guide, are followed.



* Dimensions are in mm

LIGHT DISTRIBUTION GRAPH



Beam angle: 160°

ORDERING INFORMATION

SKU	POWER, W	LUMEN OUTPUT, LM	COLOUR TEMP.	STATUS
BMOP-SP-LEZA160865E1	1.0	122	6500 K	IN STOCK

PACKAGING INFORMATION

CHAIN	BAG	BOX
35 pcs (0.42 kg)	70 pcs (0.85 kg)	840 pcs (10.6 kg)

© 2019, All rights reserved BaltLED, UAB. Specifications are subject to change without notice.